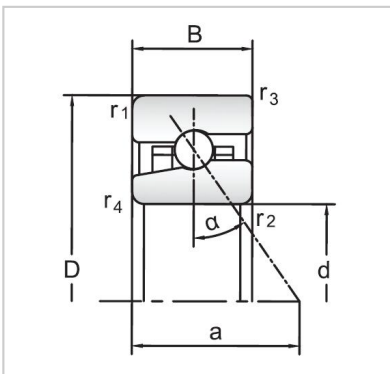


Angular Contact Ball Bearings

High speed Angular Contact Ball Bearings-H71924 AC



Bearing NO.	H71924 AC
Dimensions(mm)	
d	120
D	165
B	22
Basic Loading Ratings(KN)	
C	44.9
C0	38
Fatigue limit Pu (kN)	1.32
Calculation coefficient	-
f0	
Limiting speeds (r/min)	
Grease	9500
Oil	15000
d1 ~	134
D1 ~	151.01
r1,2 min	1.1
r3,4 min	0.6
a	46
da,db min (mm)	116
Da max (mm)	154
Db max (mm)	160.8
ra max (mm)	1.1
rb max (mm)	0.6
Weight (kg)	1.1